

PLUS

M-10 Series Copyboard

Assembly and Setup Manual

This is the installation and assembly manual for the M-10S/M-10W Copyboard.

To the Customer

Specialized techniques are required in the wall mounting of the Copyboard. Please do not attempt any installation work unless you have the techniques.

To the Dealer or Installation Tradesman

In the interest of the safety of the customer, please perform installation work paying due attention to the strength of the installation location to ensure that it can bear the load of the Copyboard, printer, and installation parts.

TABLE OF CONTENTS

1. Please Read in the Interest of Safety	2
2. Packaging List	2
3. Copyboard Installation Procedure	3
4. Assembly of the tray	3
5. Wall Mounting	6
6. Assembly of the Printer Tray	9
7. Printer Installation	10
8. Test Print	12
9. Fluorescent Lamp Replacement	13
10. Changing the Height of the Unit	Rear cover

PLEASE READ IN THE INTEREST OF SAFETY



Warning

- Please be sure to perform the installation and assembly based on this manual. Incorrect installation or assembly will be the cause of injury.
- Please have 2 or more persons lift the Copyboard when installing or removing it.
- To prevent dropping the strength of the installation location and the anchoring method must fully bear over a long period the load of the Copyboard, printer, and installation parts. The installation should also be performed to fully withstand an earthquake. Incorrect installation can result in the Copyboard falling and causing injury.
- Please use M6 or equivalent screws for the wall mounting portion. Use of screws other than M6 or equivalent can result in the Copyboard falling and causing injury.
- Please mount to a post in the wall or a sturdy wall stud. When the mounting positions of the Copyboard are not reached, please use optional wall support fittings.
- Please use hardware like anchor nuts and anchor bolts for mounting on a concrete wall.

1. PACKAGING LIST

Please open the carton and check the parts.

In the rare event that something is missing, please contact your store of purchase.

■ Printer package*: One unit

Please check the user's manual of the printer for a list of contents for the printer package.

■ Copyboard packaging list

Copyboard: 1 unit (standard type or wide type)

Printer tray: Printer tray x1, brackets x 2, M4 screws x 4, M3 screws x 6, Cushions x 2

Wall mounting brackets: x 4, M4 screws x 16 (for wall mounting)

Cable clips: x 3 (for fastening the power cable and USB cable)

Power cable: x 1

Special markers: x 4 (One each of black, red, blue, and green)

Special eraser: x 1

USB cable: x 1

A4 test printing paper: 5 sheets

■ Stand packaging list*

T-shape legs (with casters): x 2, horizontal bars x 2, Frame caps x 2, Pipe caps x 4, lock-screws x 2, hexagonal socket screws x 8, flat washers x 8, hexagonal wrench x 1

*The printer and stand may be options.

3. COPYBOARD INSTALLATION PROCEDURE

The installation method will change depending on the type of installation. Please perform installation and assembly according to the following procedures.

● When using the stand

1	Assembly of the stand	See Page 3
2	Assembly of the printer tray	See Page 9
3	Printer installation	See Page 10
4	Test print	See Page 12

* The stand may be an option.

* The printer may be an option.

● When mounting to a wall

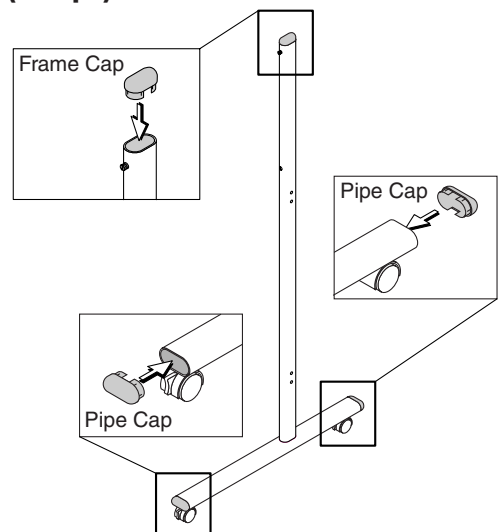
(Please consult with a dealer or installation tradesman. Installation work should not be done by the customer.)

1	Wall mounting	See Page 6
2	Assembly of the printer tray	See Page 9
3	Printer installation	See Page 10
4	Test print	See Page 12

4. ASSEMBLY OF THE STAND

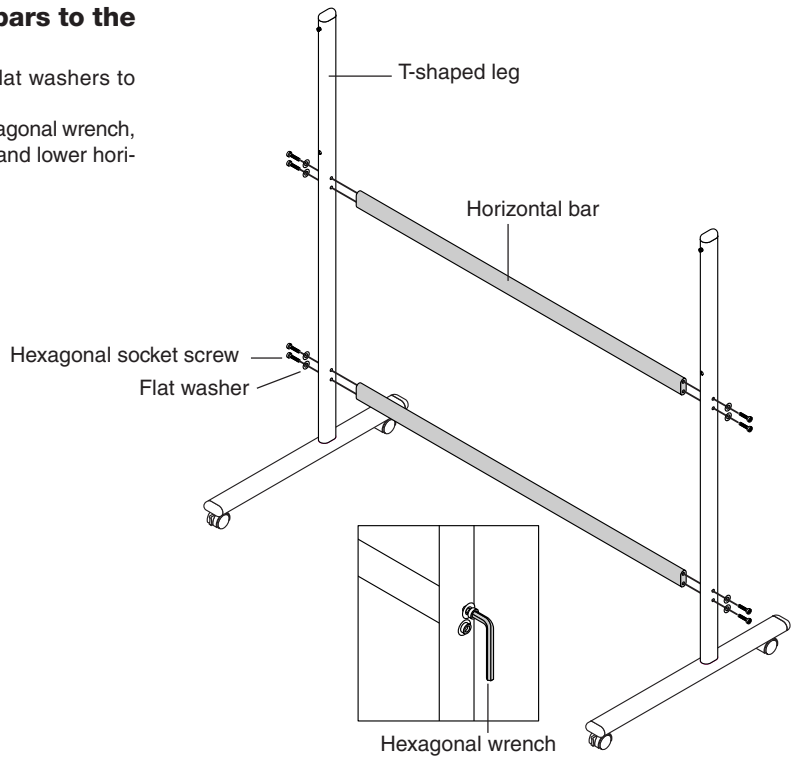
(1) Push the pipe caps into the front and back of the T-shape legs. (2 pipe caps)

(2) Push the caps into the tops of the T-shape legs. (2 caps)



(3) Attach the two horizontal bars to the T-shape legs.

Use hexagonal socket screws and flat washers to attach. Partially fasten using the supplied hexagonal wrench, then tighten securely after the upper and lower horizontal bars have been attached.



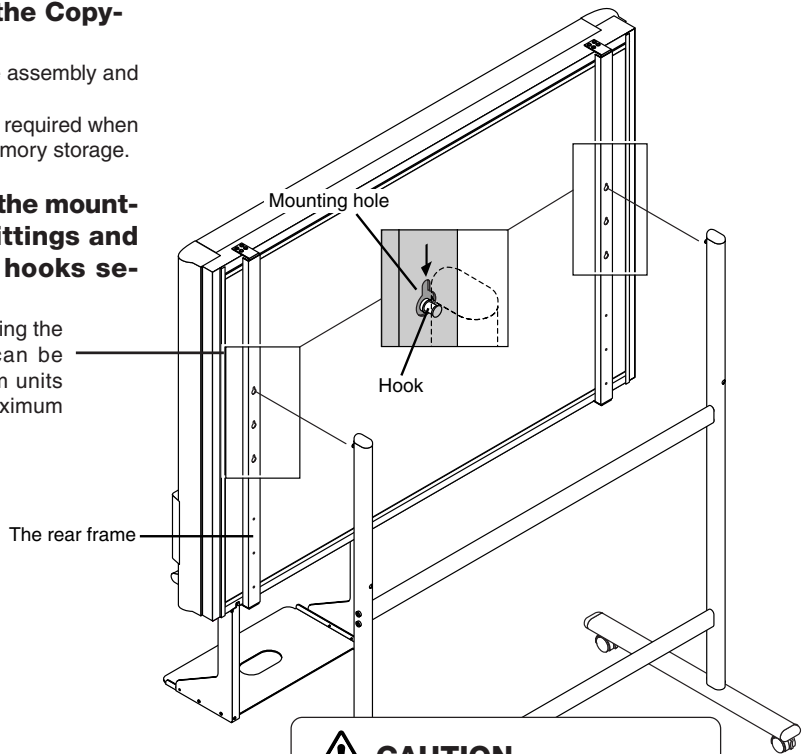
(4) Mount the printer tray to the Copyboard.

See Page 9 for information about the assembly and installation of the printer tray.

* Installation of the printer tray is not required when the Copyboard is used only for memory storage.

(5) Place the stand's hooks in the mounting holes in the support fittings and insert the grooves in the hooks securely.

There are 3 hole positions. By changing the position, the installation height can be changed among 3 levels in 100 mm units (1770, 1870, and 1970 mm (the maximum height)).



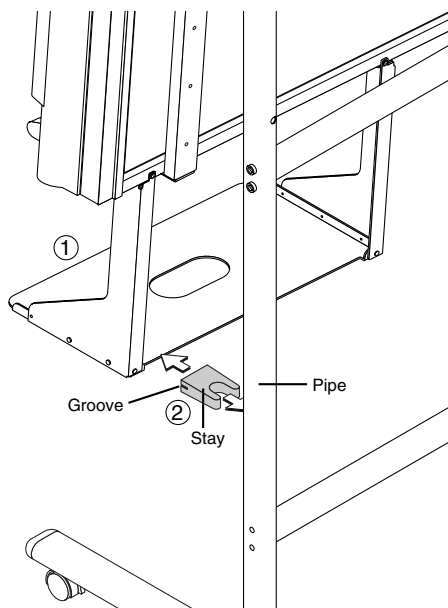
⚠ CAUTION
Please have 2 or more persons lift the Copyboard when installing it or making a height adjustment. If the unit is dropped or falls over, this could cause unforeseen injury.

(6) Insert the stay between the printer tray and stand.

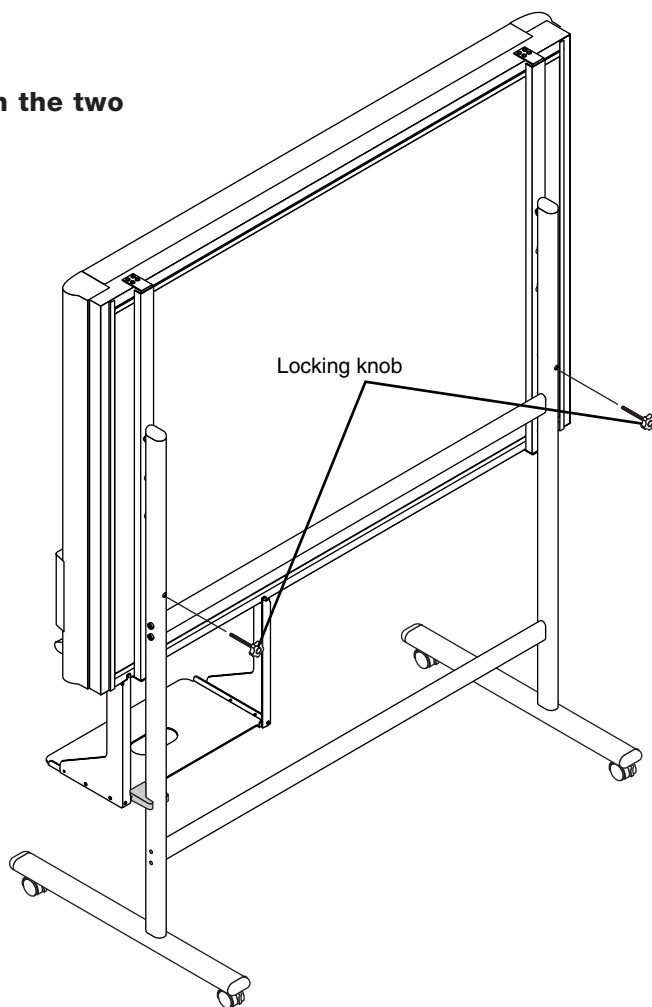
- ① Tilt the bottom of the main unit slightly forwards and insert the stay between the printer tray and pipe.
- ② Pushing the main unit back towards the stand, insert the groove in the stay into the printer tray.

Note

Check again that the grooves in the stand's hooks are securely inserted in the mounting holes in the support fittings.



(7) Lock the main unit and stand with the two locking knobs.



5. WALL MOUNTING

(1) Determining the installation location

The diagram indicates the dimensions of the installation positions. The installation position is the same for both the standard type and the wide type.

The installation of the Copyboard to the wall is performed after the printer tray is assembled and attached to the Copyboard. See Page 9.

- **When the Wall Is Concrete**

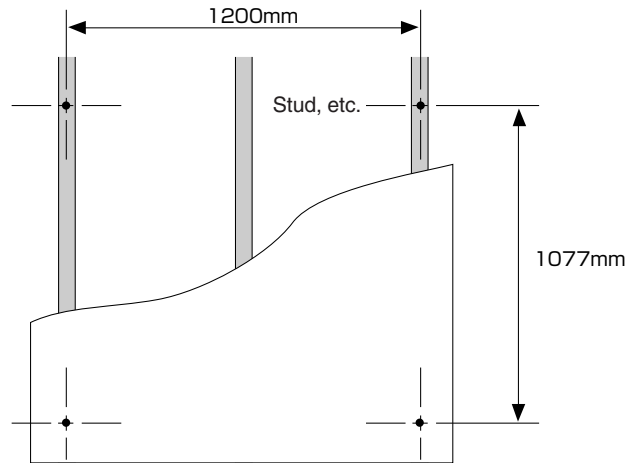
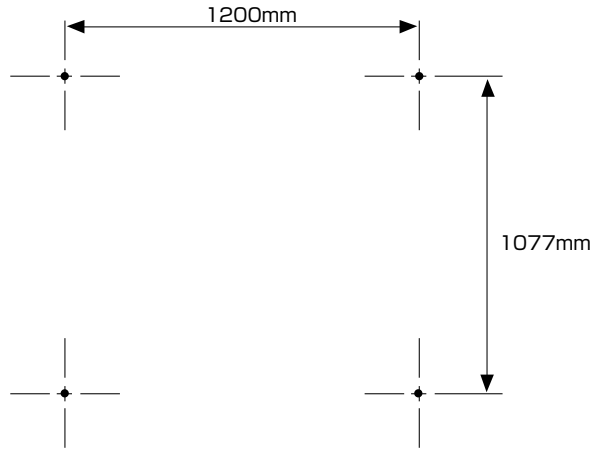
Embed the commercially available anchor bolts or anchor nuts for M6 at the installation positions. (See below)

- **When the Wall Structure Is Plywood or Plaster Board, etc.**

Please check that a post or stud is located at the installation position indicated by the dimensions. When a post is not located at the target installation position, please use a wall support fitting that is available separately. Attach a wall support fitting to the post or stud.

Note

- When the building does not have posts, please use the stand.
- Separate optional items are available when the standard wall mounting is not possible, or when installation will be made to a partition.



Reference: Installation Method for Various Wall Materials

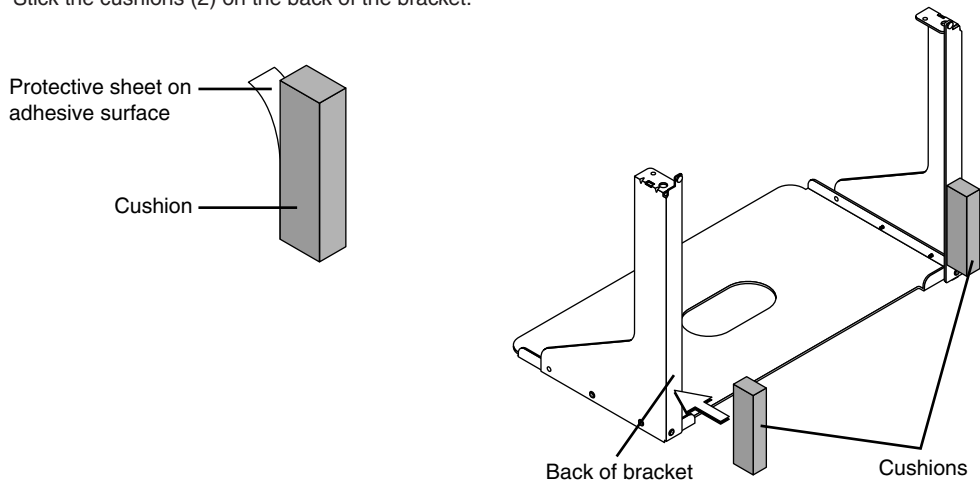
Please perform an installation that suits the wall material.

Please install the Copyboard to posts or studs when the wall surface is of insufficient strength.

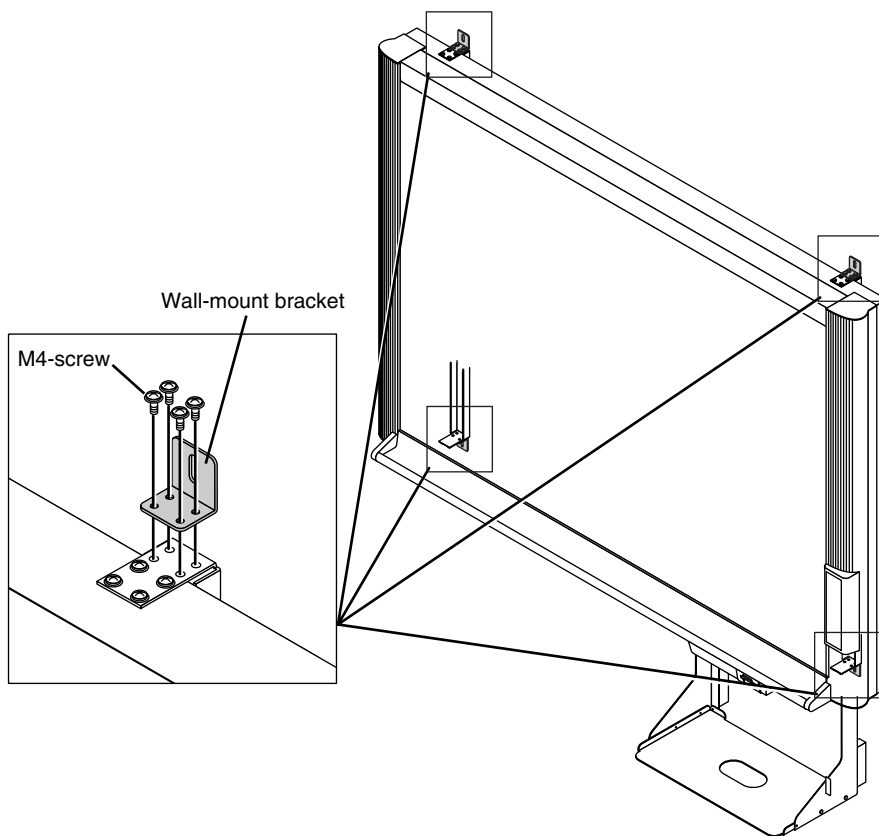
Installation Wall Material	Installation Method
Wooden Walls	<p>Wood screws</p> <p>① Make a suitable hole with an auger and (2) attach the Copyboard with wood screws.</p>
Concrete Walls	<p>Anchors</p> <p>① Make a base hole in the wall with a drill. ② Insert the anchor. ③ Fasten the Copyboard with screws.</p> <p>Please use a drill of the hole diameter specified for the anchor.</p>
Steel Walls	<p>Phillips head tapping screws (Pan head)</p> <p>Check that the steel wall is reinforced and use a drill a hole of suitable diameter, then attach the Copyboard with tapping screws.</p>

(2) Stick the cushions on the printer tray, then mount the printer tray on the main unit.

- ① Peel off the protective sheets from the cushions' adhesive surfaces.
- ② Stick the cushions (2) on the back of the bracket.

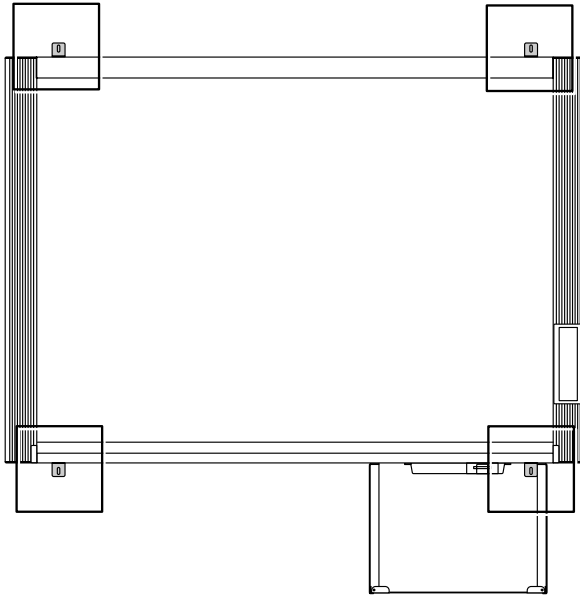


(3) Attach the 4 supplied wall-mount brackets to the Copyboard using M4 screws.

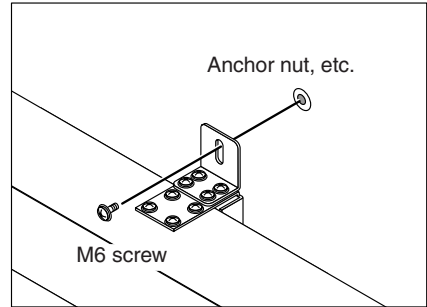


(4) Attaching and anchoring the Copyboard to a wall or wall support fitting.

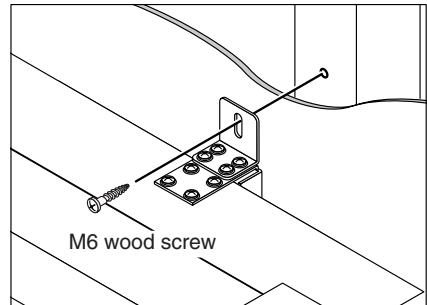
(The anchoring method will differ depending on the wall mounting method.)



Installing on a Concrete Wall

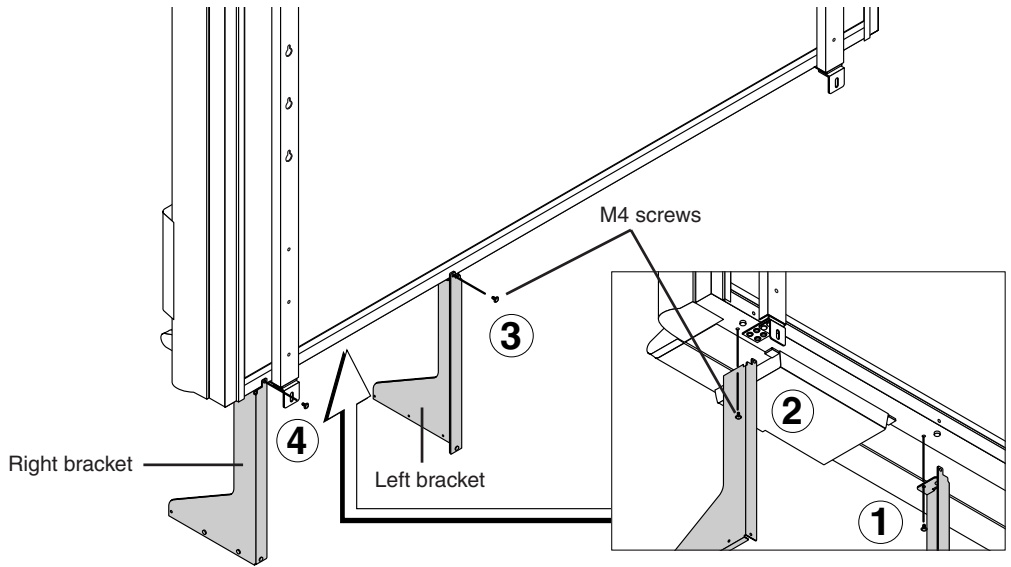


Mounting to a Post

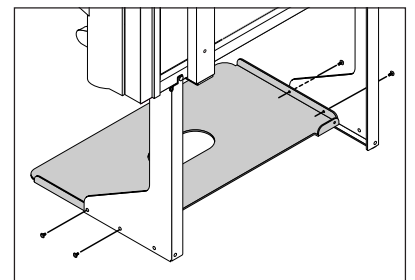
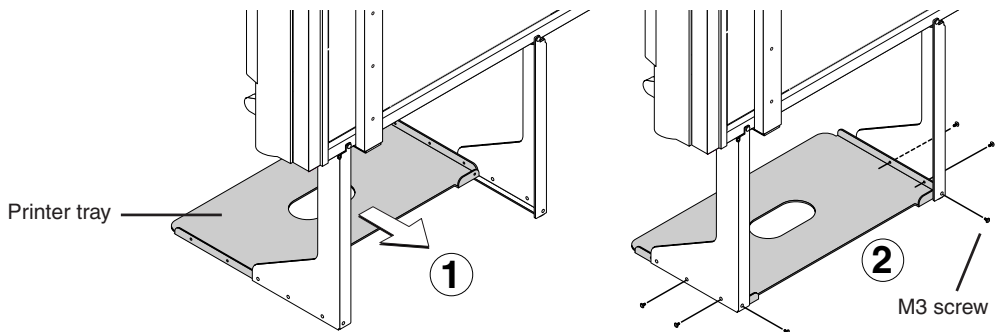


6. ASSEMBLY OF THE PRINTER TRAY

(1) Temporarily fasten the right and left brackets to the Copyboard using four M4 screws in the order of Steps ① to ④.



(2) Temporarily fasten the printer tray to the brackets with six M3 screws.



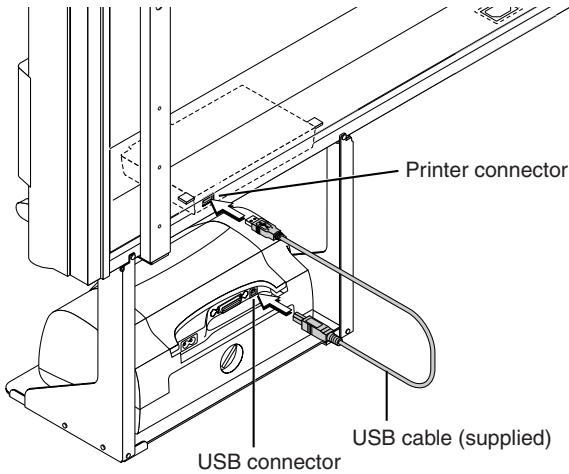
Should the printer touch on the wall surface, attach the printer tray forward.

(3) Securely tighten the screws that were fastened temporarily. This completes the assembly of the printer tray.

7. PRINTER INSTALLATION

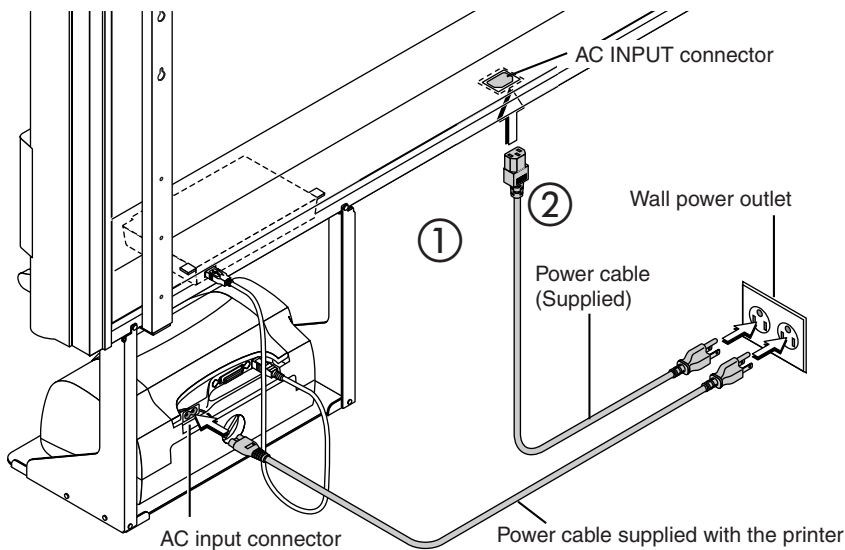
The installation method for the printer will differ depending on your printer*. Please see your printer manual. An example of a printer installation is described below.

(1) The USB cable (supplied with the Copyboard) is used to connect the printer connector of the Copyboard with the USB connector of the printer.



(2) Connect the AC OUTPUT connector of the Copyboard with the printer power connector.

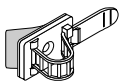
- ① Use the power cable supplied with the printer to connect the AC power connector of the printer with the (220 to 240 V AC) wall power outlet.
- ② Use the power cable supplied with the Copyboard to connect the AC INPUT connector of the Copyboard with the (220 to 240 V AC) wall power outlet.



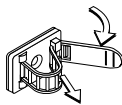
* The printer may be an option.

(3) Fasten the power cable and the USB cable with the supplied cable clips.

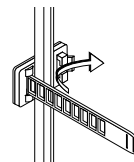
1. Remove the backing paper from the rear surface of the clip and affix the clip at the desired location.



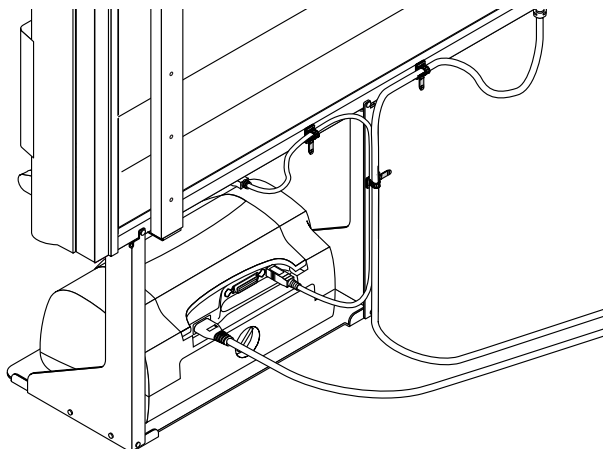
2. Raise the band of the clip, disengage it from the hook, and pull it out.



3. After finishing the cable wiring, pass the band end of the clip through the guide slot and fasten it by engaging it on the hook.



Wiring Example



This completes the installation. Please check once again that the screws and connectors are securely fastened.

8. TEST PRINT

The first time the printer is used, preparations must be performed such as installing the printer cartridge and removing the protective transportation sheet. Please see your printer manual for details.

- (1) **Switch on the printer power.**
- (2) **Open the top cover and open the paper tray.**
- (3) **Install the print cartridge in the printer.**
- (4) **Set the supplied test paper on the Copyboard.**
- (5) **Press the POWER button of the Copyboard and switch on the power.**
- (6) **Write or draw a diagram on the sheet surface.**
- (7) **Check that the number of copies indicated in the display window of the Copyboard is "01" and then press the COPY button.**

Black & White printing is selected when the power is switched on. To test colorprinting, press the COLOR button to light the COLOR indicator and then press the COPY button.

The Copyboard will read a one-screen portion and when this operation stops, the printing operation begins.

This completes the installation of the Copyboard.

9. FLUORESCENT LAMP REPLACEMENT

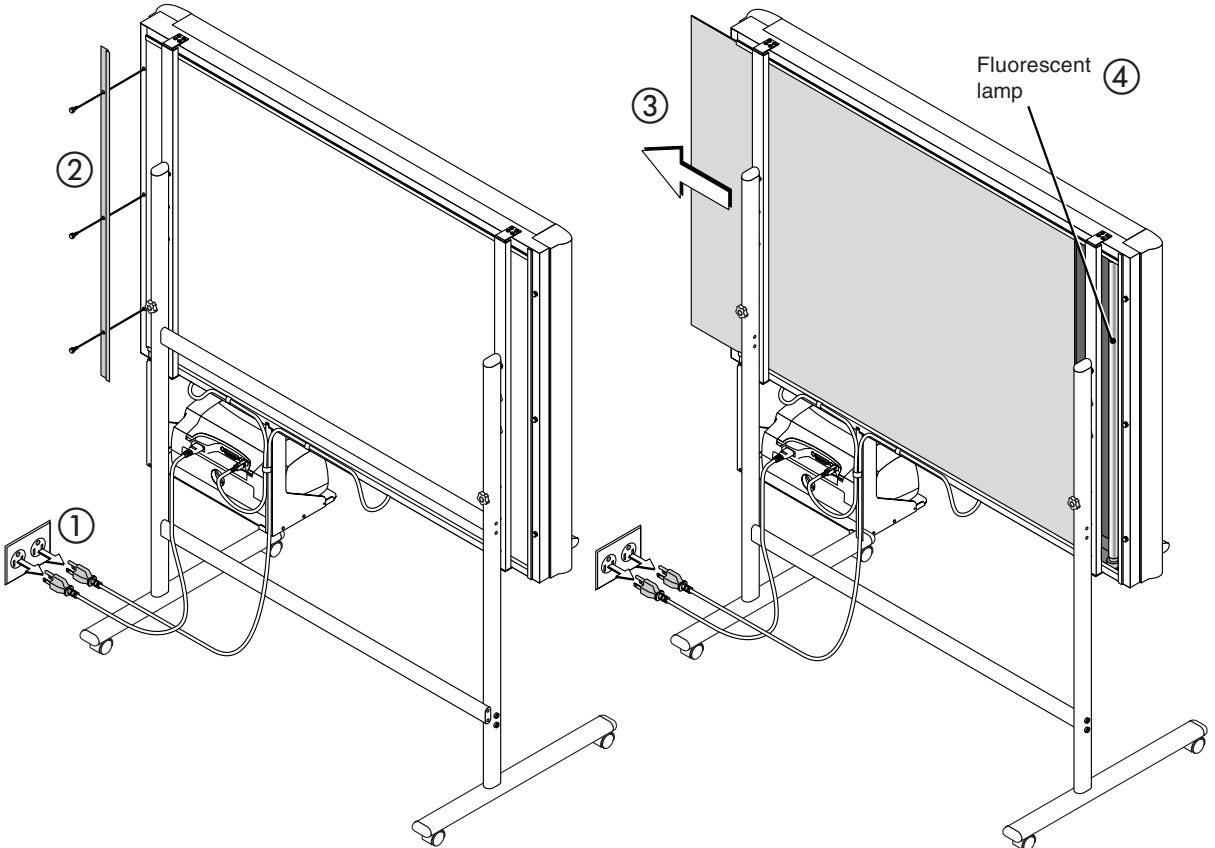
This is the replacement method for the white fluorescent lamp that is the light source of the reading device. When a black band appears at the top and bottom portions of the print or memory storage image, it is time to replace the fluorescent lamp. Please inquire with your dealer or PLUS Vision sales office concerning the replacement of the fluorescent lamp.



WARNING

When replacing the fluorescent lamp, be certain to disconnect the power cable beforehand. Do not come in contact with the power supply unit inside the Copyboard or other parts. Doing so will result in electric shock or an accident.

- ① **Unplug the power plug of the power cable at the wall AC outlet.**
- ② **Remove the fittings that fasten the rear plate at the back side of the Copyboard.**
Removal of the 3 screws will release the fittings.
- ③ **Slide the rear plate about 30 cm to the left.**
- ④ **Replace the fluorescent lamp located at the right side.**
When the replacement has been made, please assemble the Copyboard by following the procedure in reverse order.



10. CHANGING THE HEIGHT OF THE UNIT

This is the height adjustment to the stand* at the time of setup. The height can be changed among 3 levels in 100 mm units (1770, 1870, and 1970 mm (the maximum height)).

Please lock the casters by pressing the lower portion of the lock buttons of them.

(1) Disconnect the power cable and all other cables.

(2) Take out the printer and remove the printer tray.

Remove the two M4 screws from bottom side of the printer stand and the other two from the rear surface.

(3) Remove the two locking screws (located at the left and right sides).

(4) Change the hole position of the Copyboard rear frame.

The Copyboard will disengage from the hooks when it is lifted up about 1 cm.

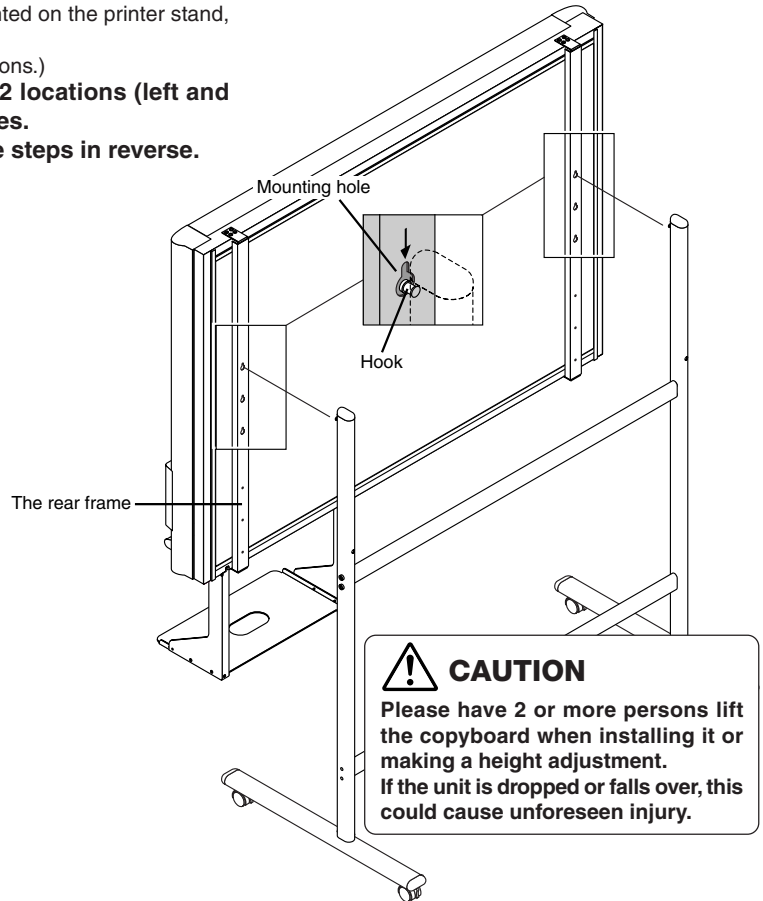
Fully hook the (2 left and right) installation holes of the copyboard rear frame onto the hooks of the stand.

If a stay (for preventing shaking) is mounted on the printer stand, insert the stay in its original position.

(See (6) on page 5 for mounting instructions.)

(5) Attach the locking screws to the 2 locations (left and right) and tighten to the rear frames.

(6) Return to original by following the steps in reverse.



* The stand may be an option.

PLUS Vision Corp.

20-11, Otowa 1-chome, Bunkyo-ku, Tokyo, 112-0013 JAPAN

www.plus-vision.com

[email:plusvision@plus.co.jp](mailto:plusvision@plus.co.jp)



Iruma Factory of PLUS Vision Corp. is
certified to ISO 9001.
Certificate No. 12 100 17398 TMS



Otowa Head Office and PLUSLAND of PLUS Corporation,
and Iruma Office/Iruma Factory of PLUS Vision Corp. are
certified to ISO 14001.
Certificate No. NQE-9809008A

*PLUS Vision Corp. is certified to ISO 14001 as a member of the PLUS group.

©2003, PLUS Vision Corp.

14-2097-03B